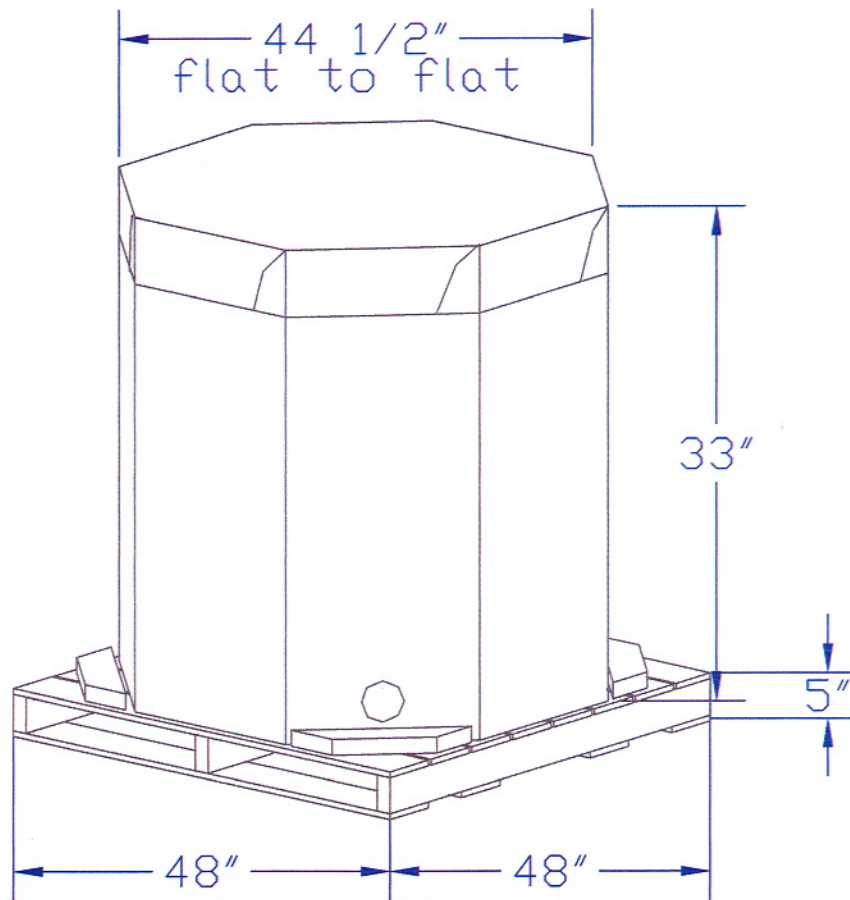


# EZ-BULK

## 220 Gallon Recyclable Liquid Bulk Container



Approx. tare weight without pallet = 26 lbs



P.O. Box 6188  
321 SW 4th Street  
Des Moines, IA 50309, USA

www.paper-systems.com    [psi@paper-systems.com](mailto:psi@paper-systems.com)  
Ph: 515 280-1111    Fax: (515) 280-9219