

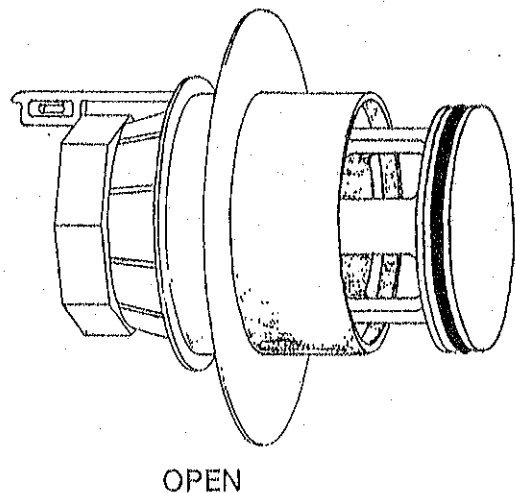
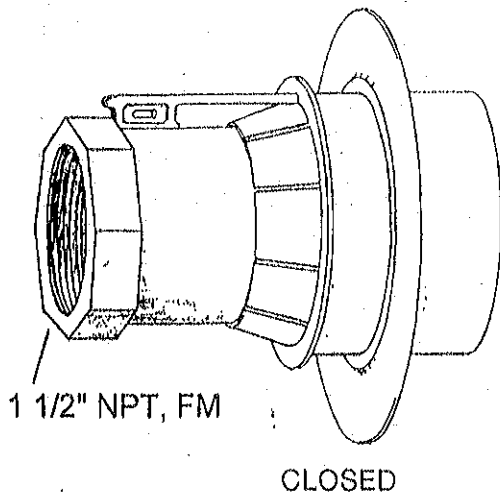
# "EZ-VALVE" USE INSTRUCTIONS

## To open valve please follow the following steps:

- 1) Plumb into the female 1 1/2" NPT (National Pipe Thread) outlet side of the valve by removing the center plug. **Do not push in on the center of the valve while you are connecting as this will open the valve.**

Please note, the center of the valve where you connect to acts as a union and can be fully rotated in either direction.

- 2) **To charge the system** remove tie strap, lift the locking finger, and push in on the center of the valve. Reposition the locking finger over the front lip of the hex nut by pushing down at the base of the finger once the valve is fully open. **(See drawing)**



**To close simply reverse the above process.**